



Sennheiser Documentation App



or online at
www.sennheiser.com/download
 evolution wired_



e 908

Quick Guide
 Kurzanleitung
 Guide rapide
 Guida rapida
 Guía de inicio rápido
 Guia rápido
 Beknopte handleiding
 Krótka instrukcja obsługi
 Snabbguide

Kvikstartguide
 Pikaohje
 Γρήγορος οδηγός
 Kısa Kılavuz
 Краткая инструкция
 快速指南
 快速使用指南
 クイックガイド
 퀵 가이드

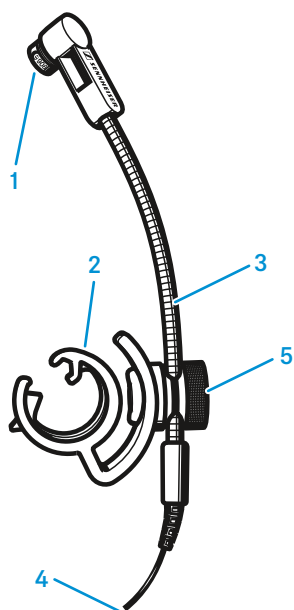
Sennheiser electronic GmbH & Co. KG

Am Labor 1, 30900 Wedemark, Germany
www.sennheiser.com

Printed in Germany
 Publ. 07/18, 581336/A01

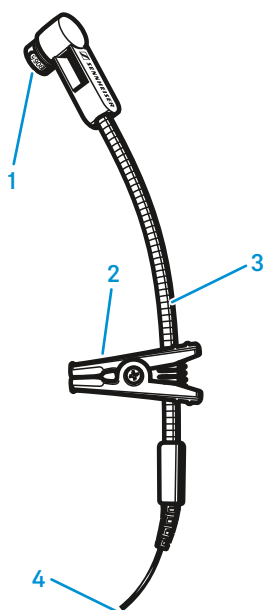
SENNHEISER

Overview



e 908 D

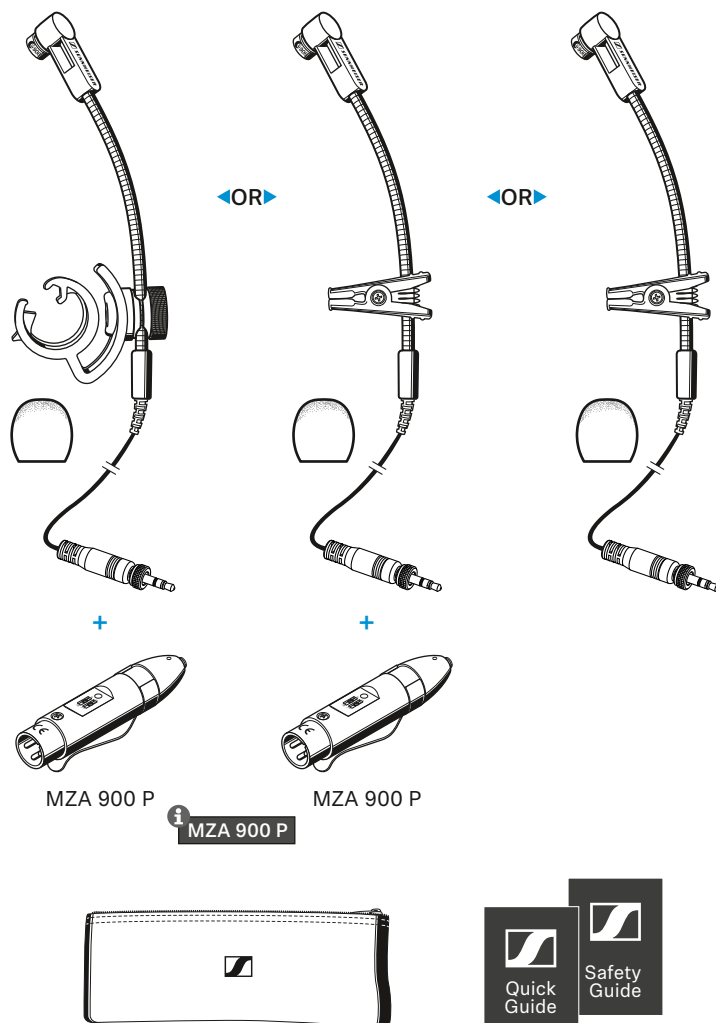
- 1 Microphone head
- 2 MZH 908 D microphone clamp
- 3 Gooseneck
- 4 XLR-3 connector
- 5 Knurled screw



e 908 B/e 908 B ew

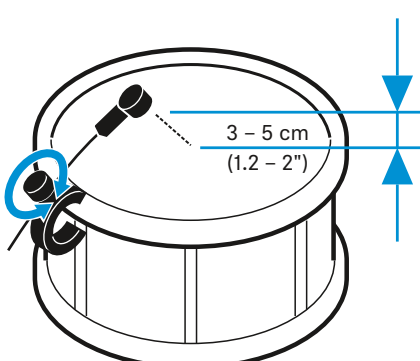
- 1 Microphone head
- 2 MZH 908 B microphone clamp
- 3 Gooseneck
- 4 • XLR-3 connector (e 908 B only)
• 3.5 mm jack (e 908 B ew only)

In the box

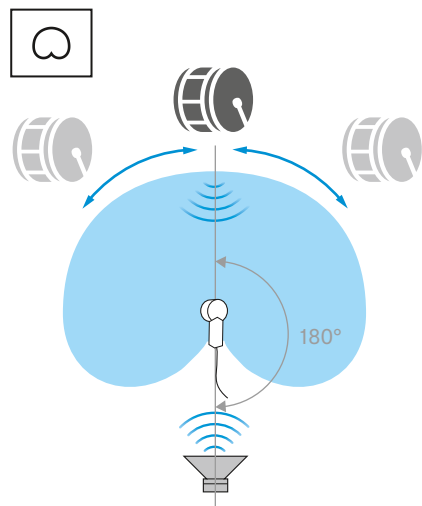
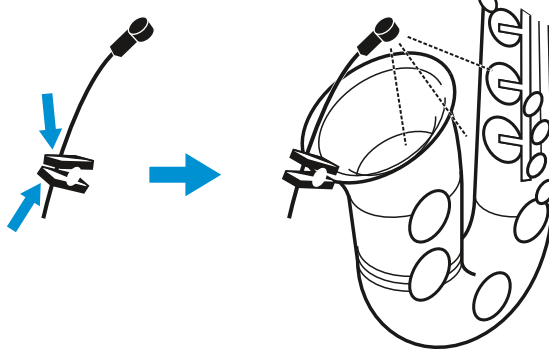


Setup

MZH 908 D

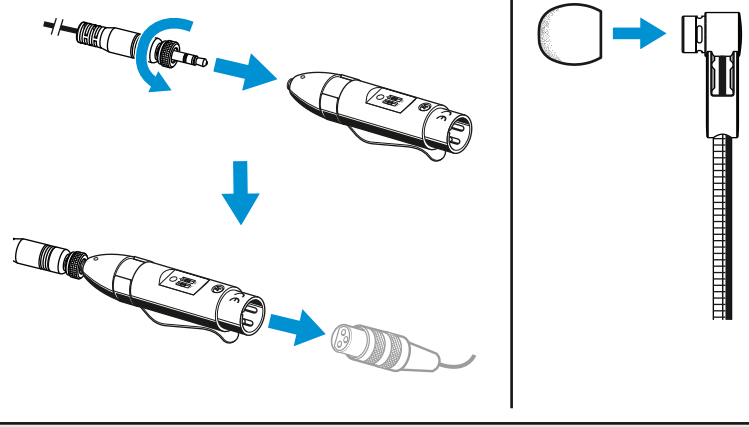


MZH 908 B

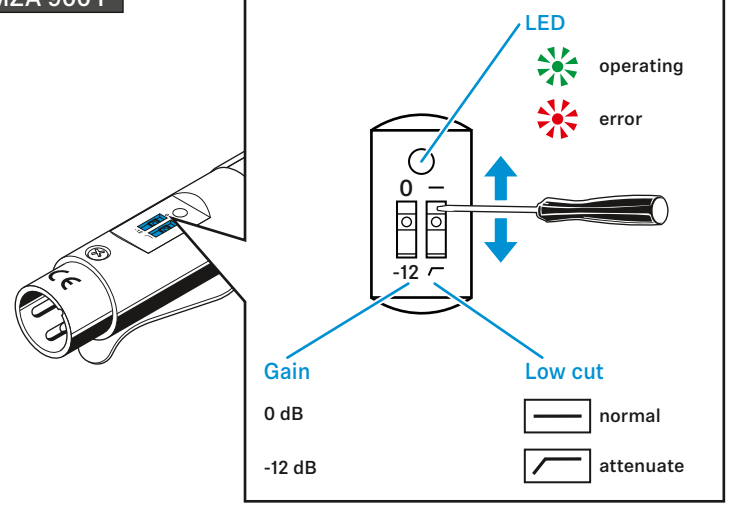


Setup

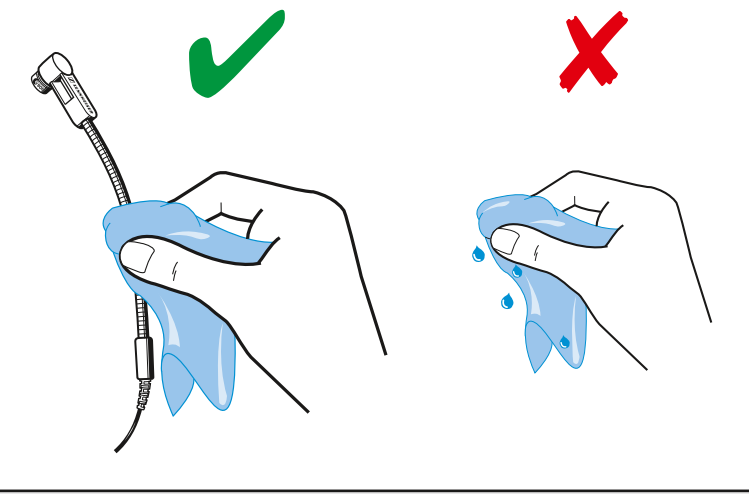
e 908 B/e 908 D



MZA 900 P



Cleaning



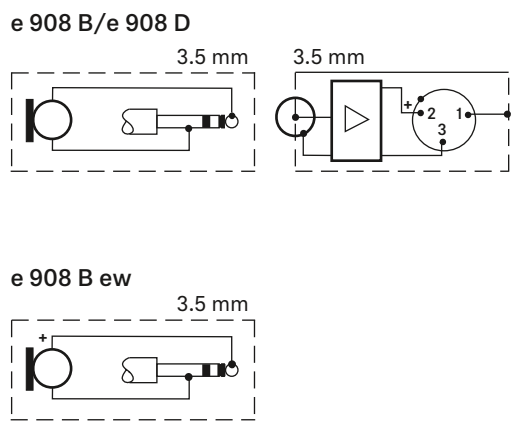
Specifications

Transducer principle	pre-polarized, condenser microphone
Frequency response	40 - 20,000 Hz
Pick-up pattern	cardioid
Sensitivity (free field, at 1 kHz)	4.0 mV/Pa
Nominal impedance (at 1 kHz)	100 Ω (balanced)*
Min. terminating impedance	2 kΩ*
Max. sound pressure level (active)	
e 908 B, e 908 D	35 dB(A)
e 908 B ew	30 dB(A)
Phantom powering	12 - 48 V*
Connector	
e 908 B, e 908 D	XLR-3*
e 908 B ew	3.5 mm jack
Dimensions	∅ 47 x 193 mm
Weight	140 g

* with MZA 900 P (e 908B/e 908 D)
e 908 B ew for direct connection to ew transmitters

Frequency response	20 - 20,000 Hz (-1 dB)
Gain, switchable	0/-12 dB
Roll-off filter, switchable	125 Hz (- 3 dB), 12 dB/oct.
Max. output voltage at	
0 dB gain	1.8 V (P48); 0.6 V (P12)
-12 dB gain	0.45 V (P12 - P48)
Noise voltage at the output	A-weighted: 3 μV (0/-12 dB) CCIR-weighted: 12 μV (0/-12 dB)
Output impedance	100 Ω
Min. load impedance at	
0 dB pre-attenuation	5 kΩ (P12 - P48)
-12 dB pre-attenuation	2 kΩ (P12 - P48)
Power supply	P12 - P48; 10 - 52 V; 2.6 - 2.8 mA
Connector	XLR-3
Input socket	3.5 mm jack socket, lockable
Dimensions	∅ 19/22 mm, L 100 mm
Weight	60 g
Operating temperature range	-20 to +60 °C
Humidity range	< 95 % r. h.

Connector assignment



Polar pattern and frequency response

