



Sennheiser Documentation App



or online at
www.sennheiser.com/download
 evolution wired_



e 904

Quick Guide

Kurzanleitung
 Guide rapide
 Guida rapida
 Guía de inicio rápido
 Guia rápido
 Beknopte handleiding
 Krótka instrukcja obsługi
 Snabbguide

Kvikstartguide

Pikaohje
 Γρήγορος οδηγός
 Kısa Kılavuz
 Краткая инструкция
 快速指南
 クイックガイド
 퀵 가이드

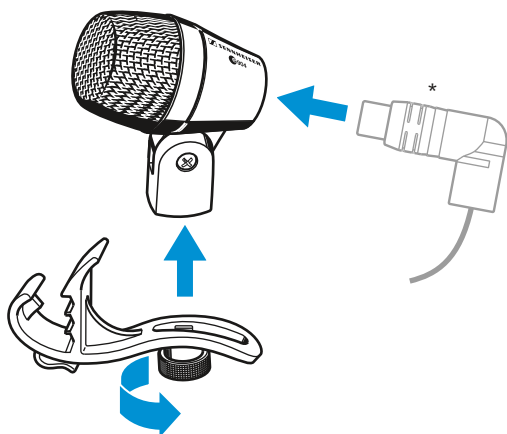
Sennheiser electronic GmbH & Co. KG

Am Labor 1, 30900 Wedemark, Germany
www.sennheiser.com

Printed in Germany
 Publ. 07/18, 581334/A01

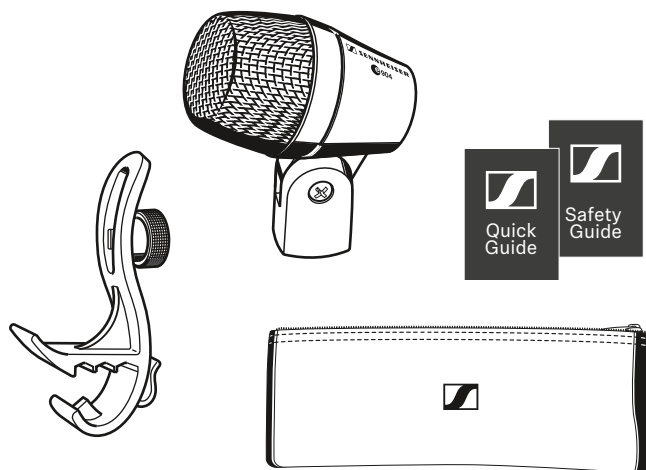
SENNHEISER

Setup

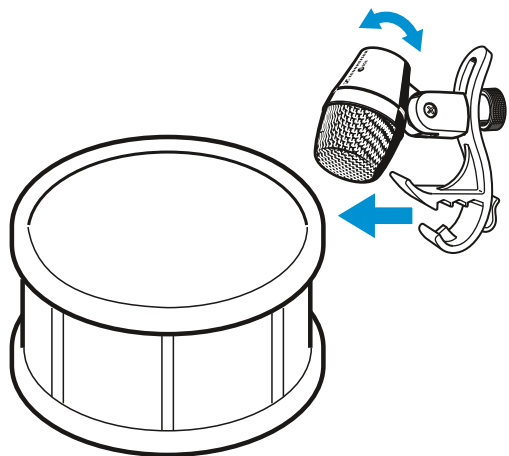


*XLR-3 cable not included

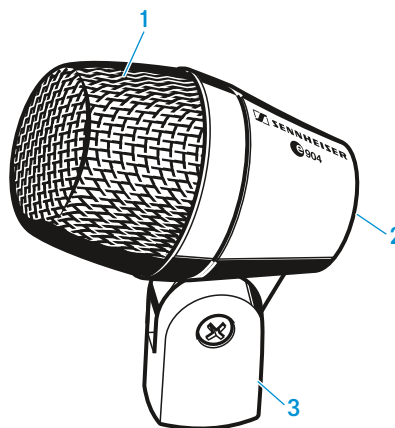
In the box



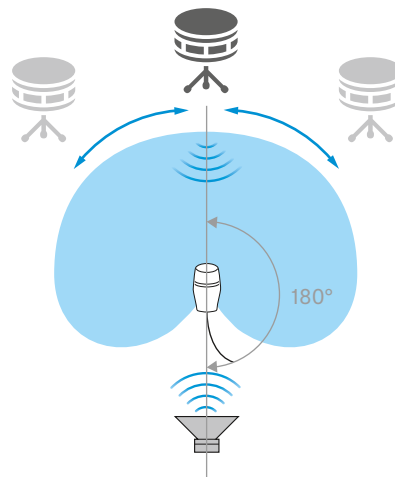
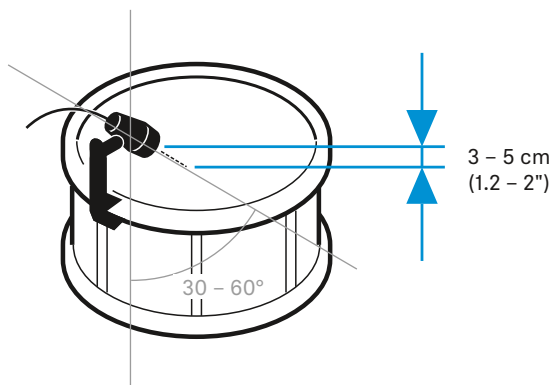
Setup



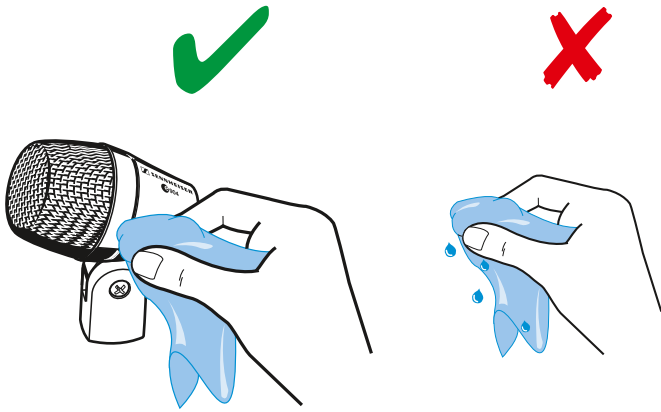
Overview



- 1 Sound inlet basket
- 2 XLR-3 connector
- 3 Integral stand mount



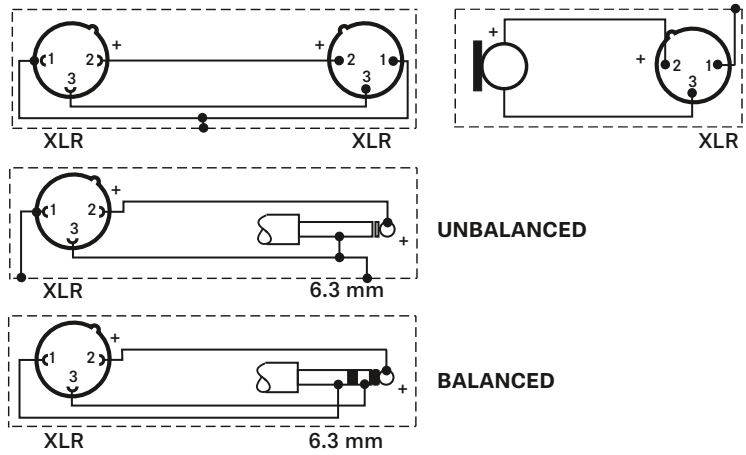
Cleaning



Specifications

Transducer principle	dynamic
Frequency response	40 - 18,000 Hz
Pick-up pattern	cardioid
Sensitivity (free field, at 1 kHz)	2.0 mV/Pa
Nominal impedance (at 1 kHz)	350 Ω
Min. terminating impedance	1 kΩ
Connector	XLR-3
Dimensions	∅ 41 x 63 mm
Weight	125 g

Connector assignment



Polar pattern and frequency response

