

Sennheiser Documentation App



or online at
www.sennheiser.com/download
 evolution wired_



e 901

Quick Guide

- Kurzanleitung
- Guide rapide
- Guida rapida
- Guía de inicio rápido
- Guía rápido
- Beknopte handleiding
- Krótká instrukcja obsługi
- Snabbguide

Kvikstartguide

- Pikaohje
- Γρήγορος οδηγός
- Kısa Kılavuz
- Краткая инструкция
- 快速指南
- 快速使用指南
- クイックガイド
- 퀵 가이드

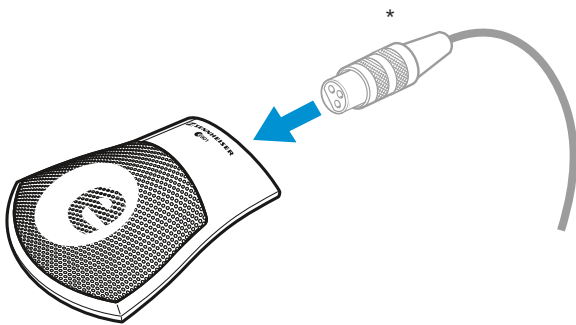
Sennheiser electronic GmbH & Co. KG

Am Labor 1, 30900 Wedemark, Germany
www.sennheiser.com

Printed in Germany
 Publ. 07/18, 581332/A01

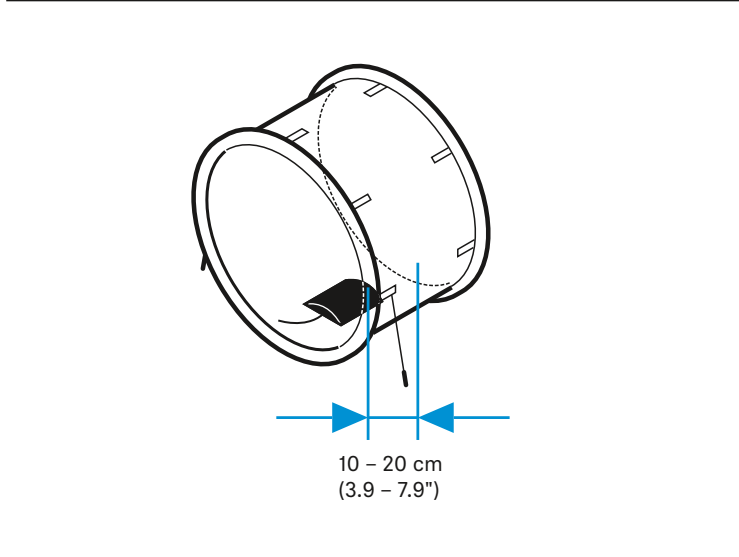
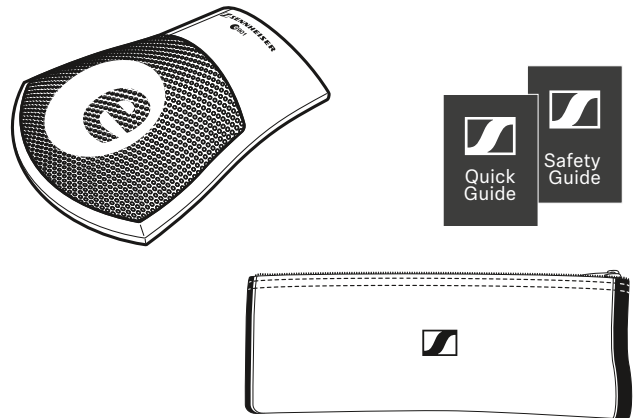
SENNHEISER

Setup

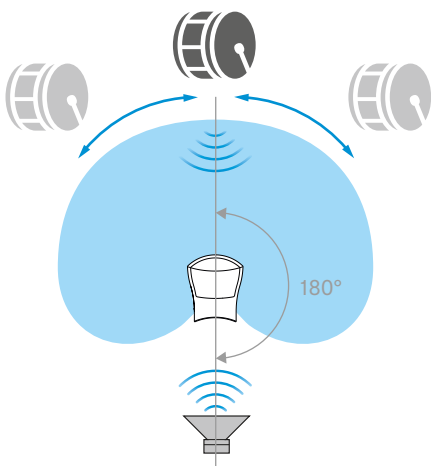
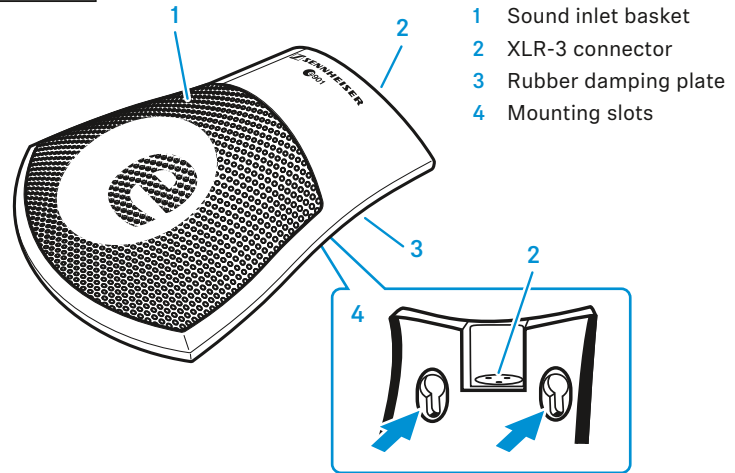


*XLR-3 cable not included

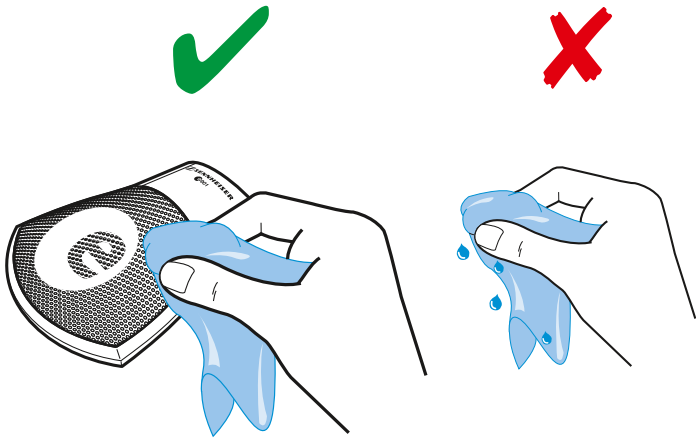
In the box



Overview



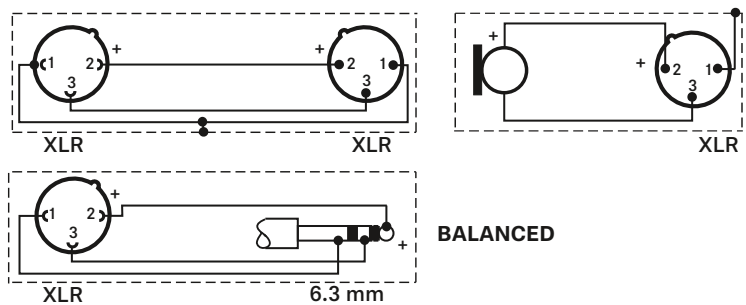
Cleaning



Specifications

Transducer principle	pre-polarized condenser microphone
Frequency response	20 - 20,000 Hz
Pick-up pattern	half-cardioid
Sensitivity (free field, at 1 kHz)	0.5 mV/Pa
Nominal impedance (at 1 kHz)	< 100 Ω
Min. terminating impedance	1 kΩ
Max. sound pressure level (at 1 kHz)	154 dB/SPL
Phantom powering	48 V
Connector	XLR-3
Dimensions	126,5 x 105 x 26,5 mm
Weight	550 g

Connector assignment



Polar pattern and frequency response

